



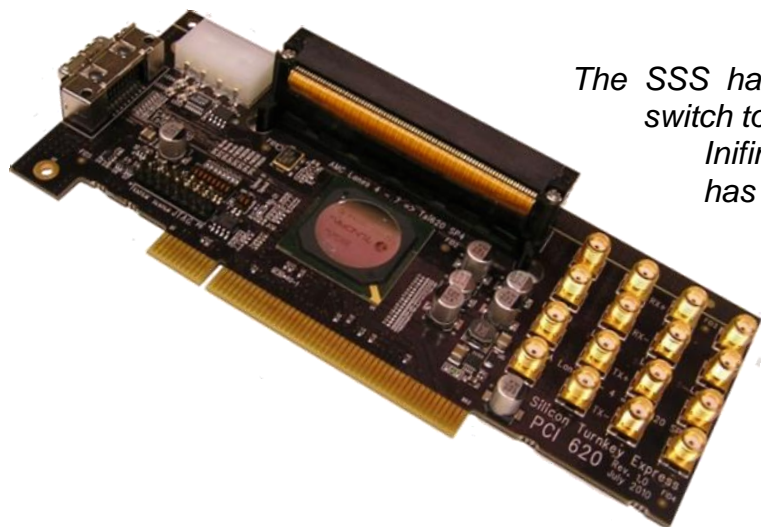
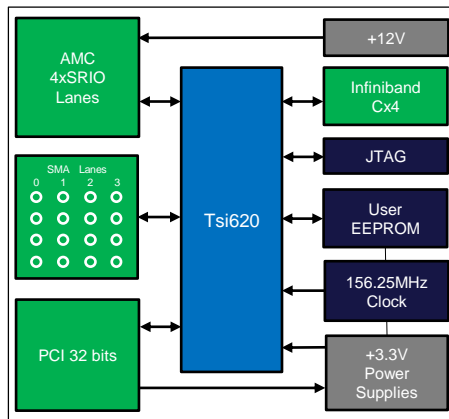
SSS

A Simple switch with 4 lanes using a Tsi620 switch

Interface through an SRIO bridge or end point with AMC, Infiniband or SMA connectors!

Features:

- Half-length PCI (standard low-height card)
- IDT Tsi620 Multiprotocol Switch
- AMC 0.4 and 0.2/SCOPE compliant connector
- 1 Infiniband SRIO x4 front IO
- SMA x4 connectors
- Supports RapidIO 1.3
- EEPROM
- JTAG IEEE 1149.1



*The SSS has 4 lanes through the Tsi620 switch to an AMC, SMA, and back panel Infiniband connectors. The module has JTAG for the Tsi620. Power is from the PCI's 3.3 Volts (**there is no data or PCI support**). A 12 Volt Molex connector provides power to the AMC connector.*

View this and other SRIO products at www.silicontkx.com

Available from stock at \$1495

PCI to PCIe Adapter priced separately. Contact STx for quantity discounts

Contact

Silicon Turnkey Express
749 Miner Rd.
Highland Hts., OH 44143

info@silicontkx.com
www.silicontkx.com
PH: 440 461 4700 182
FX: 440 484 4149