



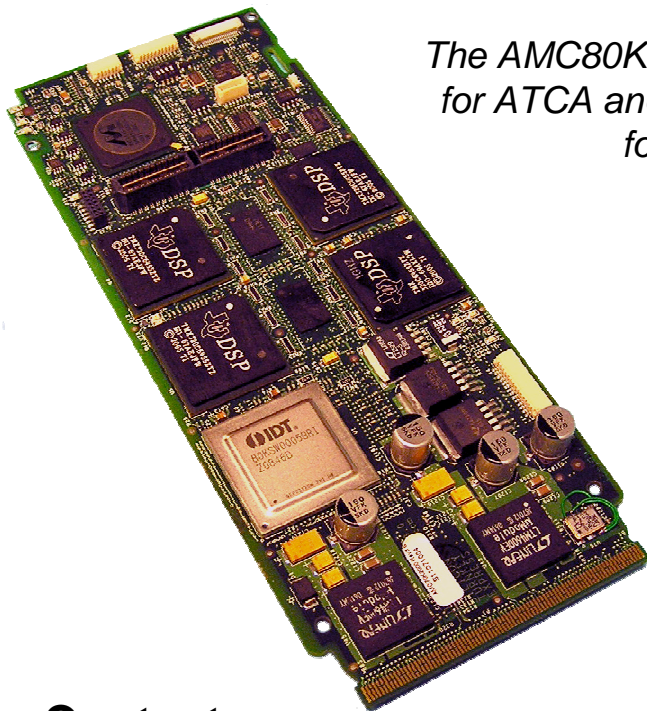
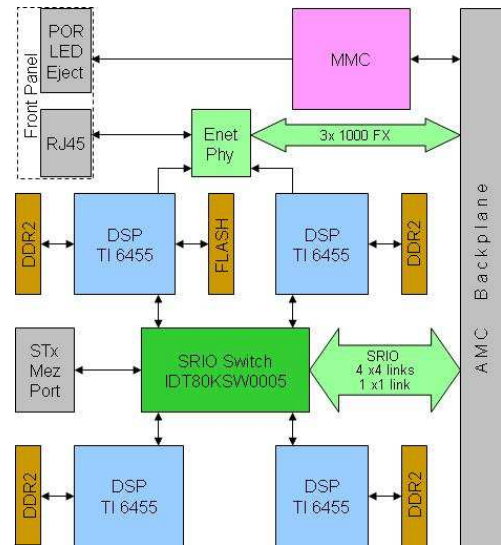
AMC80KSW5

SRIO AMC Quad DSP with Fabric Switch

The AMC80KSW5 is a Serial RapidIO Advanced Mezzanine Card designed with 4 TI DSP and a powerful IDT Fabric Switch

AMC80KSW5 Features:

- IDT80KSW0005 10-port SRIO Switch
- 4 TI TMS320C6455/6482 DSPs
- 3 Gigabit Ethernet into backplane
- 4 x4 & 1 x1 SRIO link to AMC backplane
- DRAM DDR2 max 128MB per DSP
- Flash storage serial and I2C
- JTAG: boot master, DSPs, MMC
- Stand-alone mode (Wall Power option)
- Single Full Height AMC card PICMIG 3.5 (180mm x 74mm)
- Mezzanine with x4 SRIO interface for expansion (Xilinx, Buffer card, or custom)



The AMC80KSW5 is a high-performance DSP blade for ATCA and MicroTCA systems and ideally suited for wireless infrastructure, real-time data acquisition, and other extremely deterministic, computationally intensive applications.

Unit Price \$3995

Call for OEM qty discounts

*Customization available
in as little as 8 weeks ARO!*

Contact

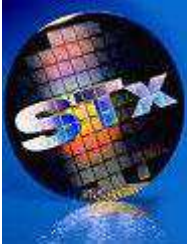
Silicon Turnkey Express
749 Miner Rd.
Highland Hts., OH 44143

info@silicontkx.com

www.silicontkx.com

PH: 440 461 4700 119

FX: 440 461 4329



Fabric Embedded Tools: Make your RapidIO System easy to setup and debug using a management plane software tool, "RapidFET": at www.FETCORP.com

Silicon Partners:

- AMCC..... www.amcc.com
- DENX..... www.denx.com
- IDT..... www.idt.com
- RIO Lab..... www.rio-lab.com
- Texas Instruments..... www.ti.com
- Zarlink..... www.zarlink.com

Original reference designs are available for customization and quick turn manufacturing!

Serial RapidIO Products Available From STx

- ★AMC70K2000 – Hi Perf. Blade, 4 TI DSP & SRIO Sw.
- ★AMC80KSW5 – Hi Perf. Blade, 4 TI DSP & SRIO Sw.
- ★AMCLB Tool – AMC interface for port testing
- ★AMCPQ3 – AMC MPC8548/3, x4 SRIO, 1 GEnet
- ★AMCSMA Tool – AMC with SMA jacks for data signals
- ★Arches – 2 PPC MPUs AMC with SRIO & PCIe
- ★EVC70K2000 – IDT ‘Pumpkin’ SRIO Evaluation Carrier
- ★EVC80KSW2001 – IDT Stand-alone SRIO Eval Carrier
- ★FPGA Mezzanine – FPGA daughter card
- ★Half-Pipe – AMC SRIO Bridge to Infiniband
- ★LRDK – Linux RapidIO Development Kit
- ★Mezz Adapter – Infiniband to FPGA Mezzanine card
- ★RD-460GT-KIT-1 – 2 PPC MPUs AMC with SRIO & PCIe
- ★SRDP – IDT/Tundra switch carrier board: 568a, 576a, 578a
- ★SSRP – Switch-less carrier for interoperability testing
- ★ZLE60304,1 – Zarlink optical extender up to 25Gbps

Check our web site for updates: www.silicontkx.com

Contact

Silicon Turnkey Express
749 Miner Rd.
Highland Hts., OH 44143

Partners



info@silicontkx.com

www.silicontkx.com

PH: 440 461 4700 119

FX: 440 461 4329