

AMC8548

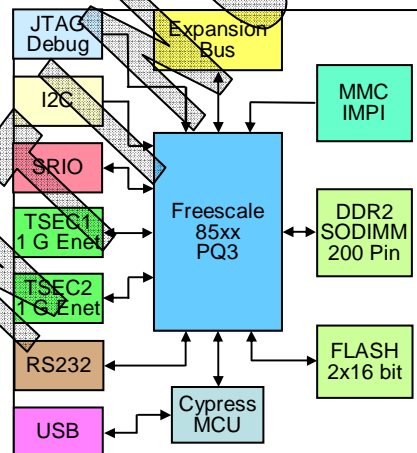
PowerQUICC3 SRIO AMC

A commercially available ODM standard product blade
For ATCA and MicroTCA Serial RapidIO systems

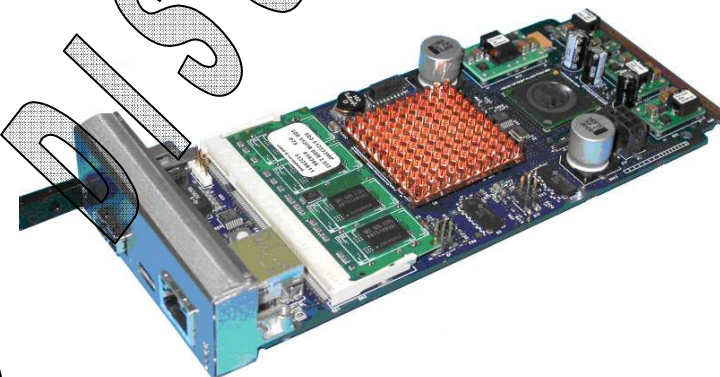
*“With its integrated cryptographic accelerator, X-or, and TSEC (gig-e) features,
The AMC8548 is ideal for network security/virtual storage applications”*

AMC8548 Features:

- Freescale PQ3 MPC8548 or MPC8543
- SRIO x4 lanes interface
- Dual Gigabit Ethernet backplane, 1 TSEC line IO
- DRAM DDR2 128MB to 2G SODIMM
- FLASH (boot) up to 16 MB
- JTAG and MMC control for IMPI
- Local power option for stand alone operation
- RS232 craft port
- USB A interface on line side for firmware upgrades
- Full height single width size (180mm x 74mm)



**AMC100
Compliant!**



AMC8548 Physical Specification

Board Size

180mm x 74mm

Weight

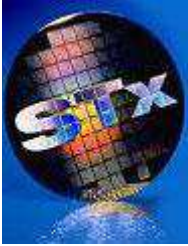
375g

Operating Temperature

Standard Product 0C to 40C
Extended Temperature TBD

Power Requirement

12VDC



Fabric Embedded Tools: Make your RapidIO System easy to setup and debug using a management plane software tool, "RapidFET": at www.FETCORP.com

Silicon Partners:

- AMCC..... www.amcc.com
- DENX..... www.denx.com
- IDT..... www.idt.com
- QNX..... www.qnx.com
- RIO Lab..... www.rio-lab.com
- Texas Instruments..... www.ti.com
- Tundra Semiconductor..... www.tundra.com
- Zarlink..... www.zarlink.com

Original reference designs are available for customization and quick turn manufacturing!

Serial RapidIO Products Available From STx

- AMC70K2000 – Hi Perf. Blade, 4 TI DSP & IDT PPS
 - AMC460GT – Dual PowerPC processors with AMC & PCI
 - AMC8548 – PowerPC processor, low cost 2nd Gen board
 - AMCLB Tool – AMC interface for port testing
 - AMCSMA Tool – AMC card with SMA jacks for data signals
 - EVC70K2000 – IDT Pre-Processor switch carrier platform
 - FPGA Mezzanine – FPGA daughter card
 - Half-Pipe – AMC SRIO Bridge to Infiniband
 - LRDK – Linux RapidIO Development Kit
 - Mezz Adapter – Infiniband to FPGA Mezzanine card
 - SRDP – Tundra switch carrier board: 568a, 576a, 578a
 - SSRP – Switch-less carrier for interoperability testing
 - ZLE60304,1 – Zarlink optical extender up to 25Gbps
- Check our web site for updates: www.silicontkx.com

Contact

Silicon Turnkey Express
749 Miner Rd.
Highland Hts., OH 44143

Partners



info@silicontkx.com
www.silicontkx.com
PH: 440 461 4700 119
FX: 440 461 4329