



ZLE60400



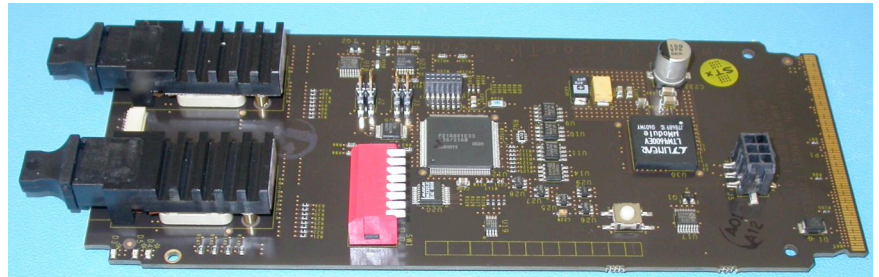
25 Gbps Multiprotocol ATCA & microTCA Optical Extender Featuring Zarlink Optical Transceivers

The E60400 provides 25 Gbps of ATCA and microTCA system interconnect in a hot pluggable, standard Advanced Mezzanine Card (AMC) form factor. The card features Zarlink ZL60304 4 port optical transceivers for electro-optical conversion of the AMC signals for transmission upto 100 meters over widely available parallel ribbon fiber. The card delivers up to 25 Gbps of bandwidth across eight individual ports operating at 3.125 Gbps. The AMC card is available as an off the shelf ODM product or a reference design.

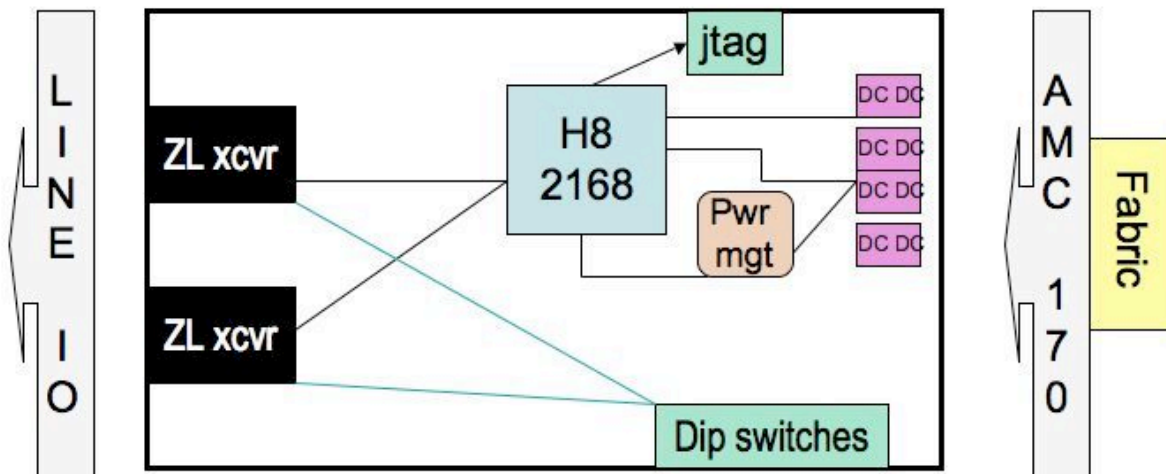
Multiple protocols interoperate with the ZLE60400 at a range of speeds. These include Serial RapidIO, Advanced Switching – PCIexpress, and Infiniband. In addition, XAUI based systems can be interconnected seamlessly for 10 Gb Ethernet solutions.

E60400 Features

- 2 ZL60304 4 port optical transceivers
- Interoperability
 - RapidIO
 - AS-PCIe
 - Infiniband
 - XAUI (10GE)
- 25 Gbps total bandwidth
- JTAG interface
- MMC control for IMPI
- Local power option for stand-alone operation
- Half/Full Height, Single width size AMC slot (180mm x 74mm)



Block diagram of ZLE60400





Other Serial RapidIO Products Available From STX

ZLE60400 Physical Specifications

Board Size

180mm x 74mm

Operating Temperature

Standard version 0 to 50 deg C
Extended temperature TBD

Weight

425g

Power Requirement

12VDC

Standards Compliance

AMC.0, AMC.1, AMC.4

ROHS

Compliant

The ZLE60400 is one of a family of solutions for RapidIO from Silicon Turnkey Express. The ZLE60400 provides high speed interconnect for each of the following demonstration systems.

- Ultra-high performance DSP blade (AMC) (July 06)
- Freescale Semiconductor: AMC card for PowerPC
- Tundra Semiconductor: Carrier reference board for Tsi568a/Tsi578a switch
- Mercury Computer: MMC IPMI management software
- Switchless Carrier for RIOLAB interoperability testing

Check www.silicontkx.com for updates on these and other new products coming soon.

Shipping November 2006

Call for OEM quantities

Customization available in as little as 8 weeks ARO

STX Contact Information

Silicon Turnkey Express, Division of RPC
Electronics
749 Miner Road
Cleveland, Ohio 44143
U.S.A.
Tel: +1 (440) 461 4700 x 182
Fax: +1 (440) 461 4329

WWW.SiliconTKx.com/products.htm
info@SiliconTKx.com

Zarlink Contact Information

Zarlink Semiconductor
400 March Road
Ottawa, Ontario
K2K 3H4
Canada
Tel: +1 (613) 592 0200
Fax: +1 (613) 592 1010
www.zarlink.com

Check out www.FETCORP.com for managing your RapidIO and PCIexpress systems- the leader in Fabric configuration and system software!