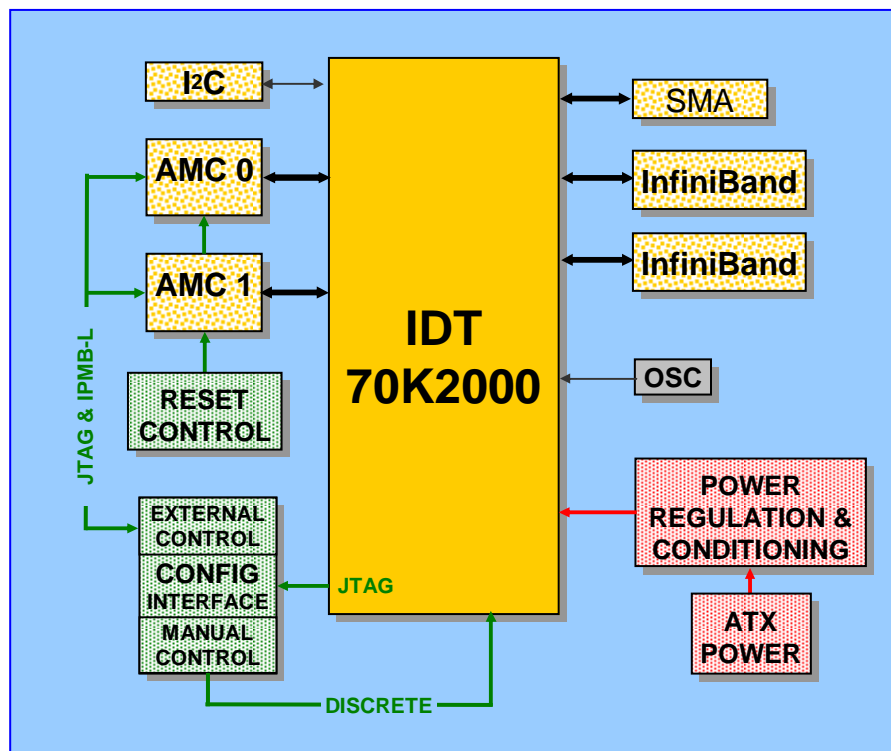
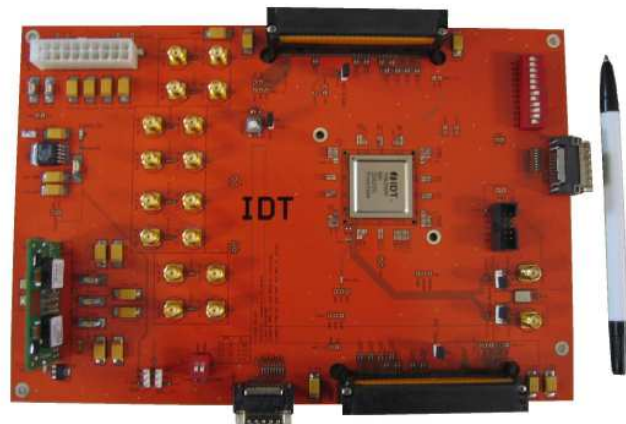


# IDT EVC70K2000 Serial RapidIO Evaluation Carrier

## Stand-alone SRIO Evaluation Carrier

### Pumpkin Features:

- IDT 70K2000 PPS Switch
- Universal AMC ports (2)
  - Supports all 8 AMC.4 specifications mappings
- SMA 1x/4x (1)
- Infiniband ports (2)
- Logic Headers (2)
- I<sup>2</sup>C Port (1)



Available from stock at **\$3500<sup>00</sup>**

Each kit includes Schematics, other documentation available from IDT.

## **70K2000: Serial RapidIO® Switch Features**

110 Gbits/s aggregate bandwidth

Pre-Processing feature for DSP Inter-processor acceleration

Ports configurable x1 or x4

Compliant to RapidIO Specification (Revision 1.3)

## **Pumpkin Mechanical**

**Board Size** 245 mm x 165 mm

**Operating Temp.** 43° to 80°C ambient

**Weight** 225 g

**Power Requirement** Standard ATX supply

## **Software Partners for Rapid IO**

QNX Software Systems [www.QNX.com](http://www.QNX.com)

Linux [www.embeddedalley.com](http://www.embeddedalley.com)

ENE [www.ose.com](http://www.ose.com)

Fabric Embedded Tools [www.FETCORP.com](http://www.FETCORP.com)

## **Typical Applications for Serial RIO**

System level solutions with QoS demands

Mesh Networking, Wired or Wireless

Multiprocessor System

ASIC/SOC/IP Development

Low Overhead SMP Implementations

## **Examples of AMC Cards**

Processor

Quad DSP card

Network Line cards

FPGA solutions

## **70K2000 PPS Tool**

Total Phase's Aarvark USB-to-I2C adaptor cable (sold separately)

[www.totalphase.com/products/aardvark/12cspi](http://www.totalphase.com/products/aardvark/12cspi)

## **Contact**

Silicon Turnkey Express

749 Miner Rd.

Highland Hts., OH 44143

**info@silicontkx.com**

[www.silicontkx.com](http://www.silicontkx.com)

PH: 440 461 4700 119

FX: 440 461 4329

*STx makes more  
RapidIO tools, AMC  
cards, and carriers  
than anyone! SRIO  
processor blade below*

