

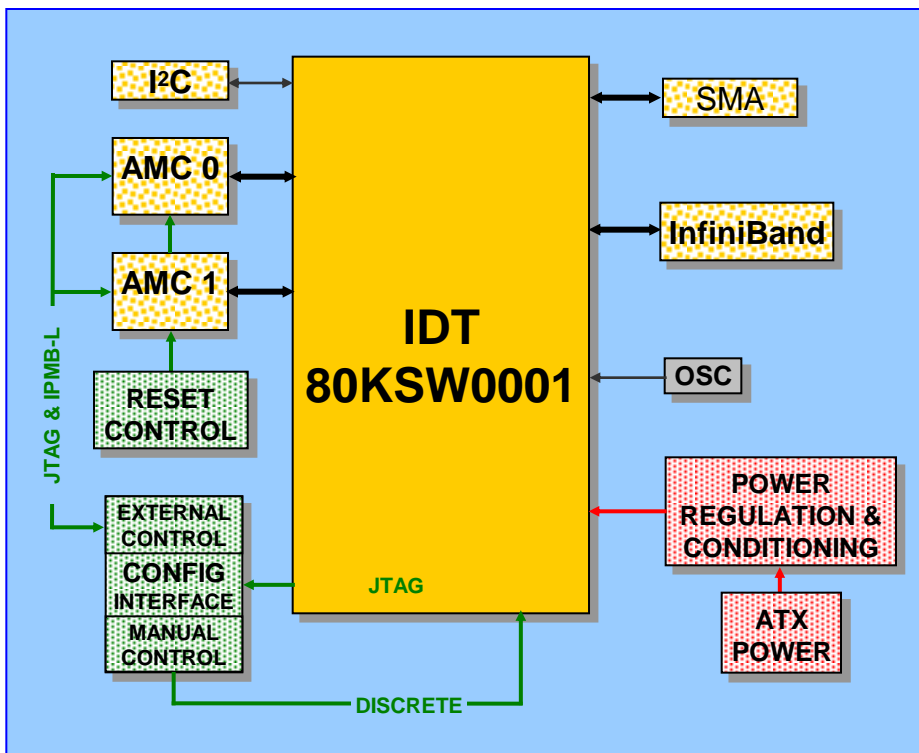
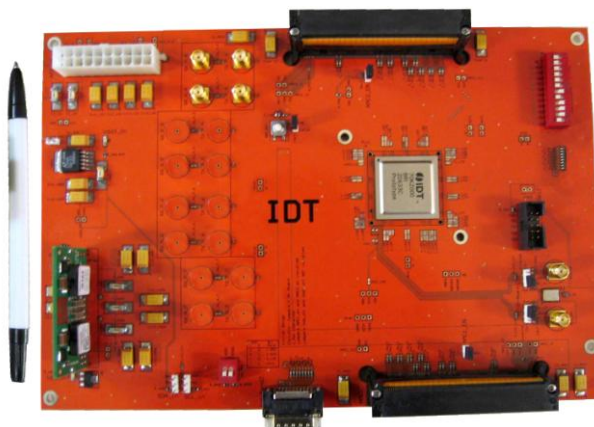


# IDT EVC80KSW0001 Serial RapidIO Evaluation Carrier

## Stand-alone SRIO Evaluation Carrier

### Features:

- IDT 80KSW0001 PPS Switch
- AMC ports (2)
- SMA 1x (1)
- Infiniband ports (1)
- Logic Headers (2)
- I<sup>2</sup>C Port (1)



**Available from Stock, Price USD \$3500.00**

Each kit includes Schematics, other documentation available from IDT.

## **80KSW0001: Serial RapidIO® Switch Features**

*30 Gbits/s aggregate bandwidth*

*Pre-Processing feature for DSP Inter-processor acceleration*

*Ports configurable x1 or x4*

*Compliant to RapidIO Specification (Revision 1.3)*

## **Pumpkin Mechanical**

**Board Size** 245 mm x 165 mm

**Operating Temp.** 43° to 80°C ambient

**Weight** 225 g

**Power Requirement** Standard ATX supply

## **Software Partners for Rapid IO**

QNX Software Systems [www.QNX.com](http://www.QNX.com)

Linux [www.embeddedalley.com](http://www.embeddedalley.com)

ENE [www.ose.com](http://www.ose.com)

Fabric Embedded Tools [www.FETCORP.com](http://www.FETCORP.com)

## **Typical Applications for Serial RIO**

System level solutions with QoS demands

Mesh Networking, Wired or Wireless

Multiprocessor System

ASIC/SOC/IP Development

Low Overhead SMP Implementations

## **Examples of AMC Cards**

Processor

Quad DSP card

Network Line cards

FPGA solutions

## **80KSW0001 PPS Tool**

Total Phase's Aarvark USB-to-I2C adaptor cable (sold separately)

[www.totalphase.com/products/aardvark/12cspi](http://www.totalphase.com/products/aardvark/12cspi)

## **Contact**

Silicon Turnkey Express

749 Miner Rd.

Highland Hts., OH 44143

**info@silicontkx.com**

[www.silicontkx.com](http://www.silicontkx.com)

PH: 440 461 4700 119

FX: 440 461 4329

*STx makes more  
RapidIO tools, AMC  
cards, and carriers  
than anyone! SRIO  
processor blade below*

