



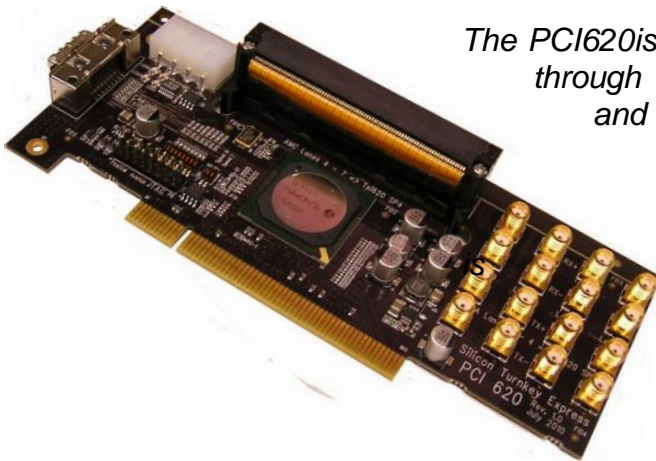
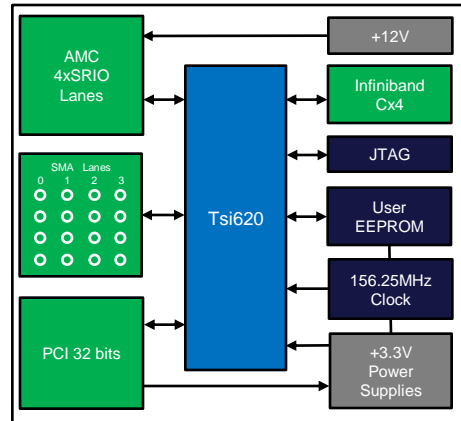
PCI620

PCI card 4 lanes using a Tsi620 switch

Interface a PC though an SRIO bridge or end point with AMC, Infiniband or SMA connectors!

Features:

- Half-length PCI (standard low-height card)
- IDT Tsi620 Multiprotocol Switch
- AMC 0.4 and 0.2/SCOPE compliant connector
- PCI or PCIe (x1 or x4)
- 1 Infiniband SRIO x4 front IO
- SMA x4 connectors
- Supports RapidIO 1.3
- EEPROM
- JTAG IEEE 1149.1



The PCI620 is a standard 32bit PCI card with 4lanes through the Tsi620 switch for an AMC, SMA, and back panel Infiniband connectors. The module has JTAG for the Tsi620. It is powered from the PCI's 3.3 Volts. A 12 Volt connector is provided for the AMC connector.

View this and other SRIO products at www.silicontkx.com/Fabrics.htm

Available from stock at \$2195

PCI to PCIe Adapter priced separately. Contact STx for quantity discounts

Contact

Silicon Turnkey Express
749 Miner Rd.
Highland Hts., OH 44143

info@silicontkx.com
www.silicontkx.com
PH: 440 461 4700 182
FX: 440 484 4149



Fabric Embedded Tools: Make your RapidIO System easy to setup and debug using a management plane software tool, "RapidFET": at www.FETCORP.com

Silicon Partners:

- AMCC..... www.amcc.com
- DENX..... www.denx.com
- IDT..... www.IDT.com
- RIO Lab..... www.rio-lab.com
- Texas Instruments..... www.ti.com
- Zarlink..... www.zarlink.com

Partners



Original reference designs are available for customization and quick turn manufacturing!

RapidIO Products Available From STx

- ★ AMC70K2000 – Hi Perf. Blade, 4 TI DSP & S-RIO Sw.
- ★ AMC80KSW5 – Hi Perf. Blade, 4 TI DSP & S-RIO Sw.
- ★ AMCLB Tool – AMC interface for port testing
- ★ AMCPQ3 – AMC MPC8548/3, x4 S-RIO, 1 GEnet
- ★ AMCSMA Tool – AMC with SMA jacks for data signals
- ★ Arches – 2 PPC MPUs AMC with S-RIO & PCIe
- ★ EVC70K2000 – IDT 'Pumpkin' S-RIO Evaluation Carrier
- ★ EVC80KSW2001 – IDT Stand-alone S-RIO Eval Carrier
- ★ FPGA Mezzanine – FPGA daughter card
- ★ Half-Pipe – AMC S-RIO Bridge to Infiniband
- ★ LRDK – Linux RapidIO Development Kit
- ★ Mezz Adapter – Infiniband to FPGA Mezzanine card
- ★ PCI620 – PCI for S-RIO with IDT Tsi620
- ★ PCIe-SRIO EVM – PCIe for S-RIO with IDT Tsi620
- ★ RD-460GT-KIT-1 – 2 PPC MPUs AMC with S-RIO & PCIe
- ★ SRDP – IDT switch carrier board: 568a, 576a, 578a
- ★ SSRP – Switch-less carrier for interoperability testing
- ★ ZLE60304,1 – Zarlink optical extender up to 25Gbps

Check our web site for updates: www.silicontkx.com

Contact

Silicon Turnkey Express
749 Miner Rd.
Highland Hts., OH 44143

info@silicontkx.com

www.silicontkx.com
PH: 440 461 4700 119
FX: 440 461 4329