



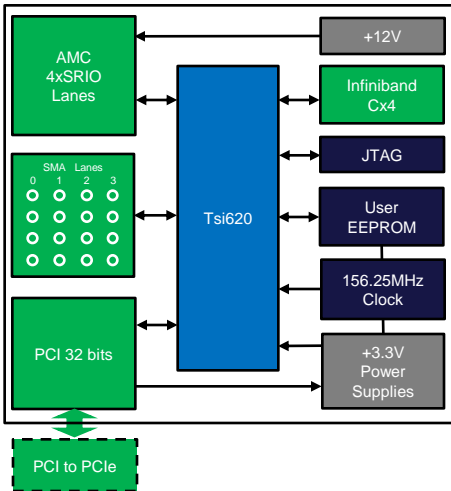
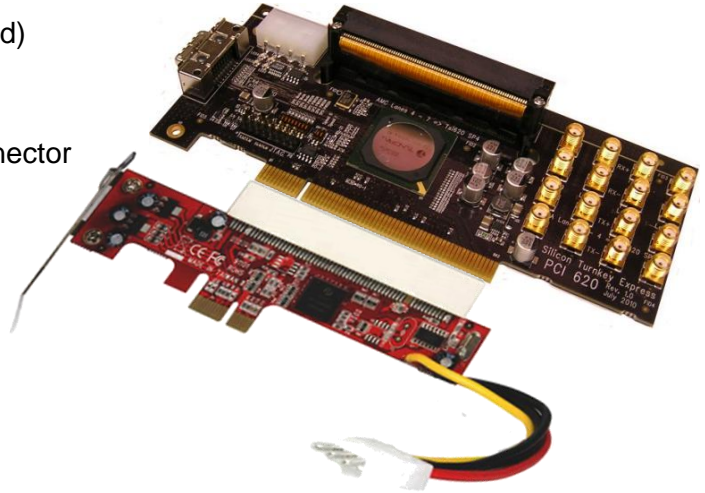
# PCIe-SRIO EVM

PCIe card 4 lanes using a Tsi620 switch

**Interface a PC though an SRIO bridge or end point with AMC, Infiniband or SMA connectors!**

## Features:

- Half-length PCI (standard low-height card)
- IDT Tsi620 Multiprotocol Switch
- PCI or PCIe (x1 or x4)
- AMC 0.4 and 0.2/SCOPE compliant connector
- 1 Infiniband SRIO x4 front IO
- SMA x4 connectors
- Supports RapidIO 1.3
- EEPROM
- JTAG IEEE 1149.1
- Optional PCI to PCIe adapter



*The PCIe-SRIO EVM is a standard 32bit PCI card with 4 lanes through the Tsi620 switch for an AMC, SMA, and back panel Infiniband connectors. The module has JTAG for the Tsi620. It is powered from the PCIe 3.3volts. A 12Volt connector is provided for the AMC connector. An optional adapter for PCI to PCIe is provided to allow the PCIe-SRIO EVM to be PCIe Gen 1 compatible.*

**View this and other SRIO products at [www.silicontkx.com/Fabrics.htm](http://www.silicontkx.com/Fabrics.htm)**

**Available from stock at \$2495**

*PCI to PCIe Adapter priced separately. Contact STx for quantity discounts*

## Contact

Silicon Turnkey Express  
749 Miner Rd.  
Highland Hts., OH 44143

[info@silicontkx.com](mailto:info@silicontkx.com)  
[www.silicontkx.com](http://www.silicontkx.com)  
PH: 440 461 4700 182  
FX: 440 484 4149



***Fabric Embedded Tools: Make your RapidIO System easy to setup and debug using a management plane software tool, "RapidFET": at [www.FETCORP.com](http://www.FETCORP.com)***

**Silicon Partners:**

- AMCC..... [www.amcc.com](http://www.amcc.com)
- DENX..... [www.denx.com](http://www.denx.com)
- IDT..... [www.IDT.com](http://www.IDT.com)
- RIO Lab..... [www.rio-lab.com](http://www.rio-lab.com)
- Texas Instruments..... [www.ti.com](http://www.ti.com)
- Zarlink..... [www.zarlink.com](http://www.zarlink.com)

**Partners**



*Original reference designs are available for customization and quick turn manufacturing!*

**RapidIO Products Available From STx**

- ★ AMC70K2000 – Hi Perf. Blade, 4 TI DSP & S-RIO Sw.
- ★ AMC80KSW5 – Hi Perf. Blade, 4 TI DSP & S-RIO Sw.
- ★ AMCLB Tool – AMC interface for port testing
- ★ AMCPQ3 – AMC MPC8548/3, x4 S-RIO, 1 GEnet
- ★ AMCSMA Tool – AMC with SMA jacks for data signals
- ★ Arches – 2 PPC MPUs AMC with S-RIO & PCIe
- ★ EVC70K2000 – IDT 'Pumpkin' S-RIO Evaluation Carrier
- ★ EVC80KSW2001 – IDT Stand-alone S-RIO Eval Carrier
- ★ FPGA Mezzanine – FPGA daughter card
- ★ Half-Pipe – AMC S-RIO Bridge to Infiniband
- ★ LRDK – Linux RapidIO Development Kit
- ★ Mezz Adapter – Infiniband to FPGA Mezzanine card
- ★ PCI620 – PCI for S-RIO with IDT Tsi620
- ★ PCIe-SRIO EVM – PCIe for S-RIO with IDT Tsi620
- ★ RD-460GT-KIT-1 – 2 PPC MPUs AMC with S-RIO & PCIe
- ★ SRDP – IDT switch carrier board: 568a, 576a, 578a
- ★ SSRP – Switch-less carrier for interoperability testing
- ★ ZLE60304,1 – Zarlink optical extender up to 25Gbps

*Check our web site for updates: [www.silicontkx.com](http://www.silicontkx.com)*

**Contact**

Silicon Turnkey Express  
749 Miner Rd.  
Highland Hts., OH 44143

**[info@silicontkx.com](mailto:info@silicontkx.com)**  
[www.silicontkx.com](http://www.silicontkx.com)  
PH: 440 461 4700 119  
FX: 440 461 4329