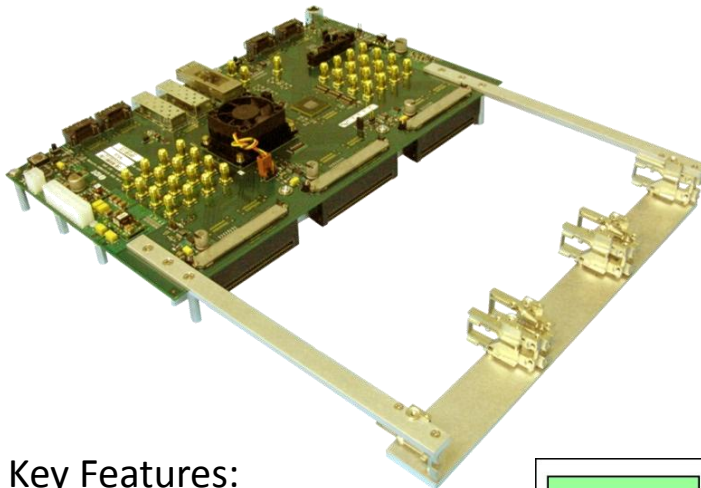




# SRDP2

## S-RIO Development Platform Gen2

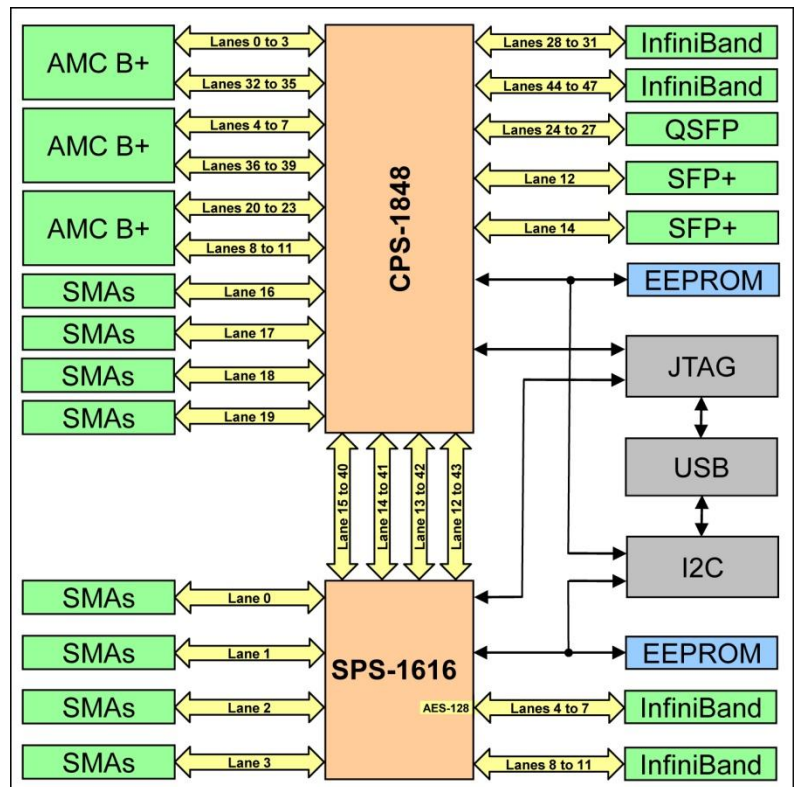
The SRDP2 is a stand alone 2<sup>nd</sup> Generation development system for S-RIO.



The Serial RapidIO Development Platform Gen2 (SRDP2) provides a flexible prototyping, evaluation and test platform for IDT's S-RIO Gen2 switches. It allows customers to develop software by inserting a variety of AMCs or connecting to other S-RIO boards to replicate their hardware topology prior to the availability of their own boards. The SRDP2 is packaged with FETCorp's Standard RapidFET JTAG. RapidFET Standard edition provides basic register access via the JTAG port including EEPROM programming, scripting and other capabilities.

### Key Features:

- Link Speed: 6.25, 5, 3.125, 2.5, 1.25 Gbaud
- Protocol: S-RIO Gen1 (v1.3) or S-RIO Gen2 (v2.1)
- AES-128 Encryption on S-RIO Link Layer 4 1x ports
- LA Probe: Mid-bus footprint for all 48 S-RIO lanes
- 3 AMC B+ connectors: 4x S-RIO link, Ports 4-7 & 8-11 (no support on IPMC and JTAG)
- 2 SFP+ connectors: 1x S-RIO link
- 1QSFP connector: 4x S-RIO link
- 4 InfiniBand/CX4 connectors: 4x-SRIO link
- SMA arrays
- PLL synthesizer: IDT ICS841N254i, 4 outs
- Clock frequency: 156.25MHz, diff. HCSL
- Reference clock out: SMA differential LVDS, 156MHz
- Reference clock in: SMA, LVTTTL, 25MHz
- JTAG Connectivity to both S-RIO switches
- I2C for both S-RIO switches
- One I2C EEPROM per switch
- JTAG/I2C to USB converter



Available from stock at \$4950

### Order Entry

RPC Electronics, [www.rpcelectronics.com](http://www.rpcelectronics.com)  
749 Miner Rd., Highland Hts., OH 44143  
PH: 800.827.2650, [sales@radiopartsco.com](mailto:sales@radiopartsco.com)

### Service & Support

Silicon Turnkey Express, [www.silicontkx.com](http://www.silicontkx.com)  
749 Miner Rd., Highland Hts., OH 44143  
PH: 440 461 4700, [support@silicontkx.com](mailto:support@silicontkx.com)



**Fabric Embedded Tools: Make your RapidIO System easy to setup and debug using a management plane software tool, "RapidFET": at [www.FETCORP.com](http://www.FETCORP.com)**

**Partners:**

- Applied Micro.....[www.apm.com](http://www.apm.com)
- Fabric Embedded Tools Corp.....[www.fetcorp.com](http://www.fetcorp.com)
- IDT.....[www.IDT.com](http://www.IDT.com)
- RIO Lab.....[www.rio-lab.com](http://www.rio-lab.com)
- Texas Instruments.....[www.ti.com](http://www.ti.com)

*Original reference designs are available for customization and quick turn manufacturing!*

**RapidIO Products Available From STx**

- ★ AMC70K2000 – Hi Perf. Blade, 4 TI DSP & S-RIO Sw.
- ★ AMC80KSW5 – Hi Perf. Blade, 4 TI DSP & S-RIO Sw.
- ★ AMCLB Tool – AMC interface for port testing
- ★ AMCPQ3 – AMC MPC8548/3, x4 S-RIO, 1 GEnet
- ★ AMCSMA Tool – AMC with SMA jacks for data signals
- ★ Arches – 2 PPC MPUs AMC with S-RIO & PCIe
- ★ EVC70K2000 – IDT 'Pumpkin' S-RIO Evaluation Carrier
- ★ EVC80KSW2001 – IDT Stand-alone S-RIO Eval Carrier
- ★ FPGA Mezzanine – FPGA daughter card
- ★ Half-Pipe – AMC S-RIO Bridge to Infiniband
- ★ LRDK – Linux RapidIO Development Kit
- ★ Mezz Adapter – Infiniband to FPGA Mezzanine card
- ★ PCI620 – PCI for S-RIO with IDT Tsi620
- ★ PCIe-SRIO EVM – PCIe for S-RIO with IDT Tsi620
- ★ RD-460GT-KIT-1 – 2 PPC MPUs AMC with S-RIO & PCIe
- ★ SRDP – IDT switch carrier board: 568a, 576a, 578a
- ★ SRDP2 – IDT S-RIO Gen2 Development Platform
- ★ SSRP – Switch-less carrier for interoperability testing

Check our web site for updates: [www.silicontkx.com](http://www.silicontkx.com)

**Partners**

