



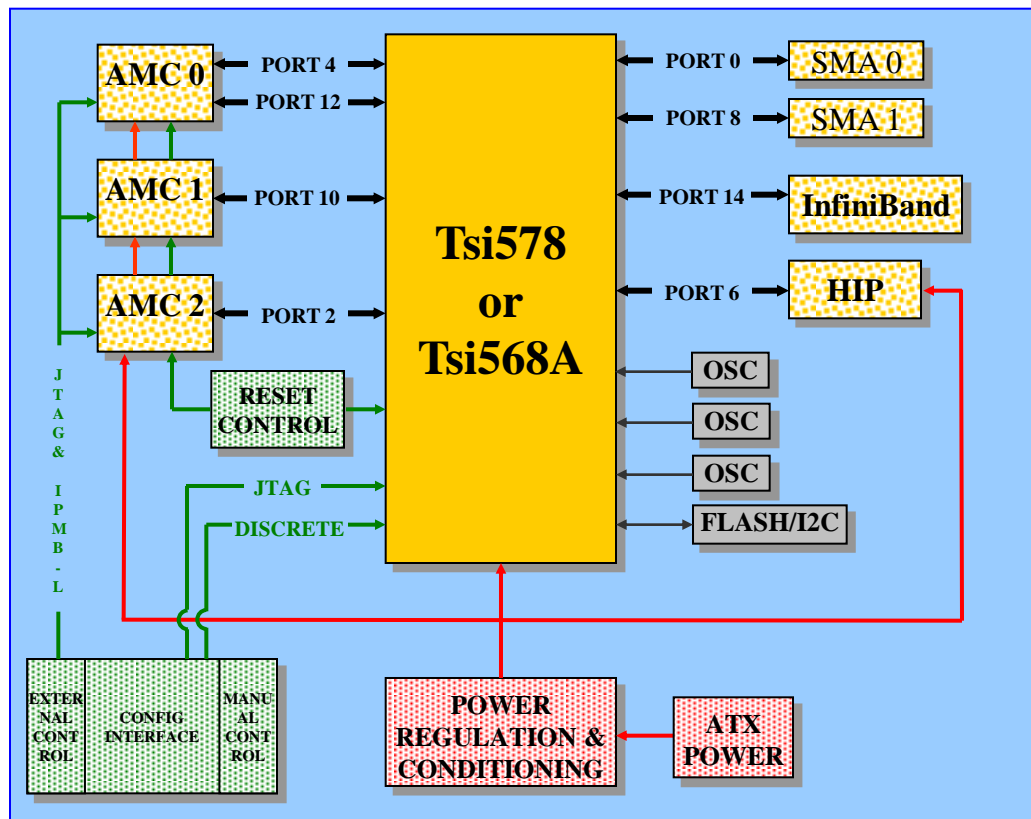
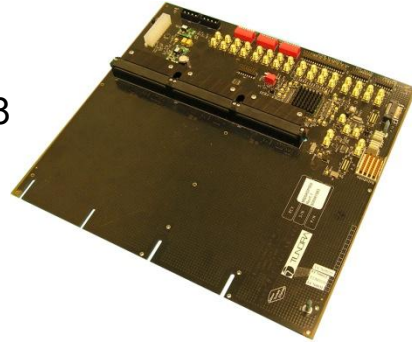
# SRDP

## Serial RapidIO Development Platform (SRDP568A or SRDP578)

The SRDP is a stand alone development system for SRIO.

### IO Expansion Ports:

- With Either IDT's Tsi568A or Tsi578
- 3 AMC Card Slots
- 1 HIP
- 2 SMA Ports of 4 Lanes
- 1 Infiniband



Available from stock at \$3500

Contact STx to order or for more information

### Contact

Silicon Turnkey Express  
749 Miner Rd.  
Highland Hts., OH 44143

[info@silicontkx.com](mailto:info@silicontkx.com)

[www.silicontkx.com](http://www.silicontkx.com)  
PH: 440 461 4700 119  
FX: 440 461 4329



# Products

**Silicon Turnkey Express, STx, is an Original Design Manufacturer for semiconductor suppliers.**

**STx provides OEMs with “concept to production” solutions by offering custom designs, integration services and Electronic Manufacturing Services.**

**STx’s original reference designs are available for customization and quick turn manufacturing!**



**SBCs  
(VIA & STx)**



**LCDs,  
Monitors &  
Systems**



## Backplane Development Tools

