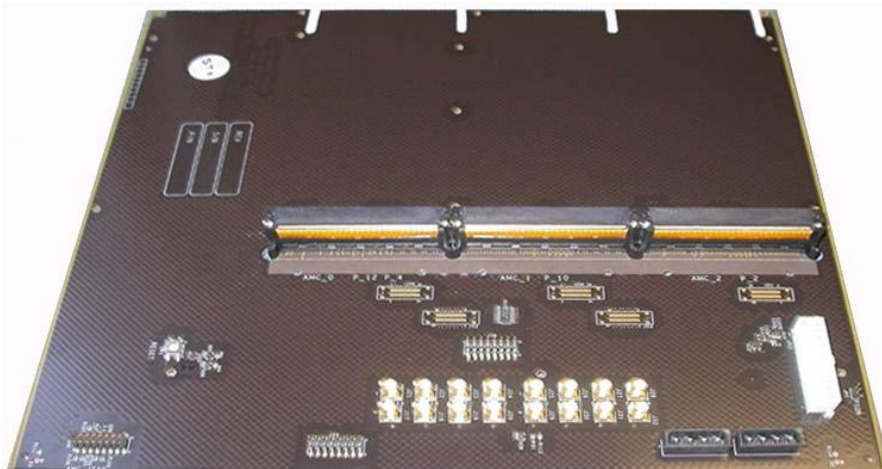
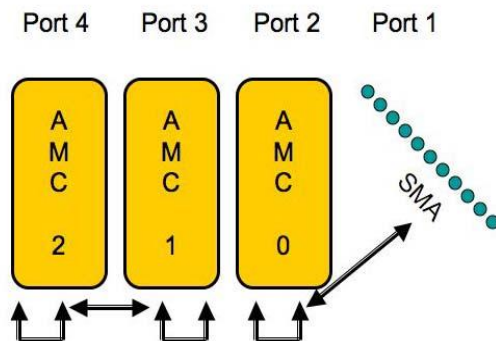




Stand-alone Silicon Interoperability system for SRIO with 2 AMC wired Tx – Rx and 1 AMC wired to SMAs

SSRP Mechanical

Board Size	305 x 244 mm
Operating Temperature	0 to 70 C
Weight	200g
Power Requirement	ATX PS



Typical Applications for Serial RIO

- ✓ System level solutions with QoS demands
- ✓ Mesh Networking, wired or wireless
- ✓ Multitprocessor Systems
- ✓ ASIC/SOC/IP development
- ✓ Deterministic board to board solutions
- ✓ Low overhead SMP implementations

Available from Stock for USD \$3495.00

Each kit includes Schematics, user manual, standoffs, support
Contact US! www.silicontkx.com or info@silicontkx.com



Products

Silicon Turnkey Express, STx, is an Original Design Manufacturer for semiconductor suppliers.

STx provides OEMs with “concept to production” solutions by offering custom designs, integration services and Electronic Manufacturing Services.

STx’s original reference designs are available for customization and quick turn manufacturing!



**SBCs
(VIA & STx)**



**LCDs,
Monitors &
Systems**



Backplane Development Tools

