

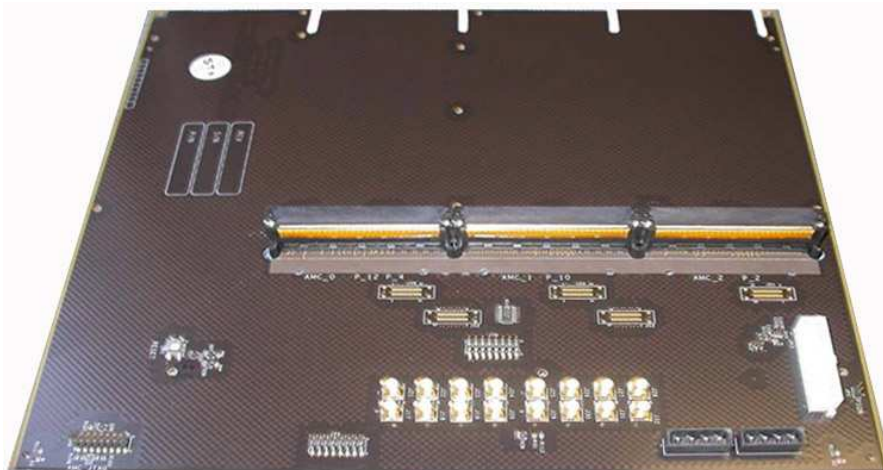
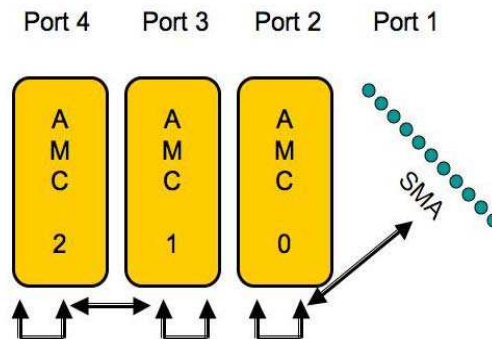
# SSRP

## Switchless Serial RapidIO Development Platform

*Stand-alone Silicon Interoperability system for SRIO with 2 AMC wired Tx – Rx and 1 AMC wired to SMAs*

### **SSRP Mechanical**

Board Size	305 x 244 mm
Operating Temperature	0 to 70 C
Weight	200g
Power Requirement	ATX PS

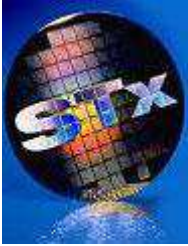


### Typical Applications for Serial RIO

- ✓ System level solutions with QoS demands
- ✓ Mesh Networking, wired or wireless
- ✓ Multiprocessor Systems
- ✓ ASIC/SOC/IP development
- ✓ Deterministic board to board solutions
- ✓ Low overhead SMP implementations

**Available from Stock for USD \$3495.00**

Each kit includes Schematics, user manual, standoffs, support  
**Contact US! [www.silicontkx.com](http://www.silicontkx.com) or [info@silicontkx.com](mailto:info@silicontkx.com)**



**Fabric Embedded Tools: Make your RapidIO System easy to setup and debug using a management plane software tool, "RapidFET": at [www.FETCORP.com](http://www.FETCORP.com)**

**Silicon Partners:**

- AMCC..... [www.amcc.com](http://www.amcc.com)
- DENX..... [www.denx.com](http://www.denx.com)
- IDT..... [www.idt.com](http://www.idt.com)
- RIO Lab..... [www.rio-lab.com](http://www.rio-lab.com)
- Texas Instruments..... [www.ti.com](http://www.ti.com)
- Tundra Semiconductor..... [www.tundra.com](http://www.tundra.com)
- Zarlink..... [www.zarlink.com](http://www.zarlink.com)

*Original reference designs are available for customization and quick turn manufacturing!*

**Serial RapidIO Products Available From STx**

- ★AMC70K2000 – Hi Perf. Blade, 4 TI DSP & IDT PPS
  - ★AMCLB Tool – AMC interface for port testing
  - ★AMCPQ3 – AMC MPC8548/3, x4 SRIO, 1 GEnet
  - ★AMCSMA Tool – AMC with SMA jacks for data signals
  - ★Arches – 2 PPC MPUs AMC with SRIO & PCIe
  - ★EVC70K2000 – IDT Pre-Processor switch carrier platform
  - ★FPGA Mezzanine – FPGA daughter card
  - ★Half-Pipe – AMC SRIO Bridge to Infiniband
  - ★LRDK – Linux RapidIO Development Kit
  - ★Mezz Adapter – Infiniband to FPGA Mezzanine card
  - ★RD-460GT-KIT-1 – 2 PPC MPUs AMC with SRIO & PCIe
  - ★SRDP – Tundra switch carrier board: 568a, 576a, 578a
  - ★SSRP – Switch-less carrier for interoperability testing
  - ★ZLE60304,1 – Zarlink optical extender up to 25Gbps
- Check our web site for updates: [www.silicontkx.com](http://www.silicontkx.com)*

**Contact**

Silicon Turnkey Express  
749 Miner Rd.  
Highland Hts., OH 44143

**Partners**



**info@silicontkx.com**  
[www.silicontkx.com](http://www.silicontkx.com)  
PH: 440 461 4700 119  
FX: 440 461 4329