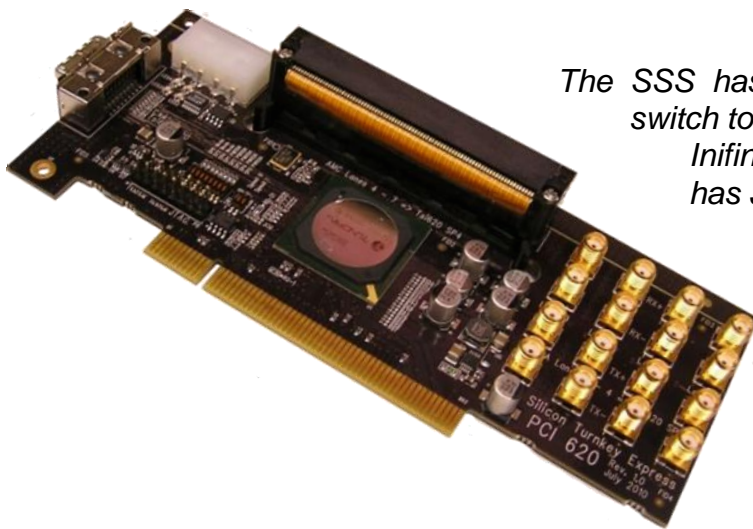
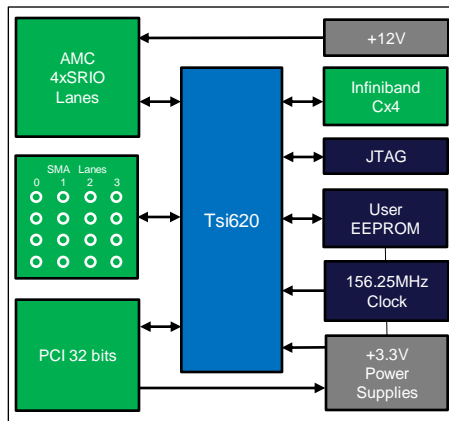




Interface through an SRIO bridge or end point with AMC, Infiniband or SMA connectors!

Features:

- Half-length PCI (standard low-height card)
- IDT Tsi620 Multiprotocol Switch
- AMC 0.4 and 0.2/SCOPE compliant connector
- 1 Infiniband SRIO x4 front IO
- SMA x4 connectors
- Supports RapidIO 1.3
- EEPROM
- JTAG IEEE 1149.1



The SSS has 4 lanes through the Tsi620 switch to an AMC, SMA, and back panel Infiniband connectors. The module has JTAG for the Tsi620. Power is from the PCI's 3.3 Volts (there is no data or PCI support). A 12 Volt Molex connector provides power to the AMC connector.

View this and other SRIO products at www.silicontkx.com

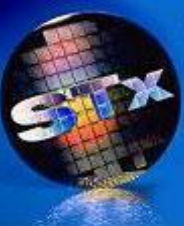
Available from stock at \$1495

PCI to PCIe Adapter priced separately. Contact STx for quantity discounts

Contact

Silicon Turnkey Express
749 Miner Rd.
Highland Hts., OH 44143

info@silicontkx.com
www.silicontkx.com
PH: 440 461 4700 182
FX: 440 484 4149



Products

Silicon Turnkey Express, STx, is an Original Design Manufacturer for semiconductor suppliers.

STx provides OEMs with “concept to production” solutions by offering custom designs, integration services and Electronic Manufacturing Services.

STx’s original reference designs are available for customization and quick turn manufacturing!



**SBCs
(VIA & STx)**



**LCDs,
Monitors &
Systems**



Backplane Development Tools

