



# ZLE60304 Optical Extender

## A 25 Gbps Multi-Protocol ATCA & microTCA Optical Extender Featuring Zarlink Optical Transceivers

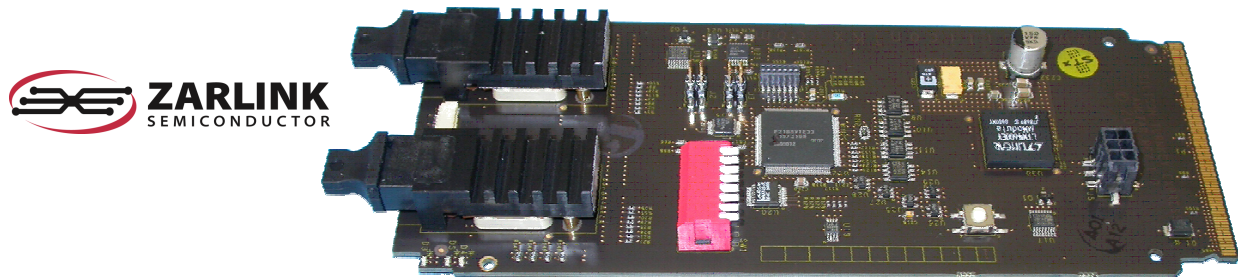
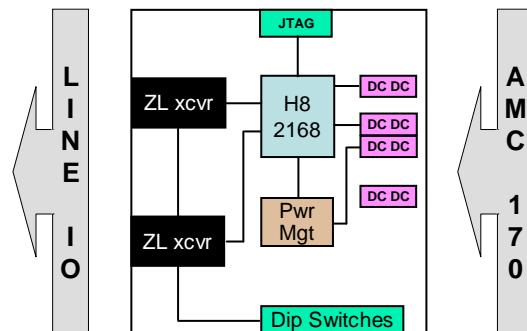
The ZLE60304 provides ATCA and microTCA system interconnect in a hot pluggable, standard Advanced Mezzanine Card (AMC). Features Zarlink's ZL60304, a 4 port optical transceiver for electro-optical conversion of AMC signals, will transmit up to 100 meters over widely available ribbon fiber. The card delivers up to 25 Gbps of bandwidth across eight individual ports operating at 3.125 Gbps.

**ZLE60304 is available as an off the shelf ODM product of a reference design.**

Multiple protocols interoperate with the ZLE60304 at a range of speeds. These include Serial RapidIO, Advanced Switching – PCIe Express, and Infiniband. In addition, XAUI based systems can be interconnected seamlessly for 10 Gb Ethernet solutions.

### **ZLE60340 Features:**

- 2 ZL60304 4 Port Optical Transceivers
- Interoperability
  - RapidIO
  - AS-PCIe
  - Infiniband
  - XAUI (10GE)
- 25 Gbps Total Bandwidth
- JTAG Interface
- MMC Control for IMPI
- Local Power for Stand Alone Operation
- Half/Full Height, Single width AMC Slot
- AMC.0, AMC.1, AMC.4 Compliant



### ZLE60304 Physical Specification

**Board Size**  
180mm x 74mm

**Weight**  
425g

**Power**  
12VDC

**Operating Temperature**  
Standard Product 0C to 50C  
Extended Temperature TBD

**Available from stock at 2995<sup>00</sup>**



***Fabric Embedded Tools: Make your RapidIO System easy to setup and debug using a management plane software tool, "RapidFET": at [www.FETCORP.com](http://www.FETCORP.com)***

**Silicon Partners:**

- AMCC..... [www.amcc.com](http://www.amcc.com)
- DENX..... [www.denx.com](http://www.denx.com)
- IDT..... [www.idt.com](http://www.idt.com)
- RIO Lab..... [www.rio-lab.com](http://www.rio-lab.com)
- Texas Instruments..... [www.ti.com](http://www.ti.com)
- Tundra Semiconductor..... [www.tundra.com](http://www.tundra.com)
- Zarlink..... [www.zarlink.com](http://www.zarlink.com)

*Original reference designs are available for customization and quick turn manufacturing!*

**Serial RapidIO Products Available From STx**

- ★AMC70K2000 – Hi Perf. Blade, 4 TI DSP & IDT PPS
  - ★AMCLB Tool – AMC interface for port testing
  - ★AMCPQ3 – AMC MPC8548/3, x4 SRIO, 1 GEnet
  - ★AMCSMA Tool – AMC with SMA jacks for data signals
  - ★Arches – 2 PPC MPUs AMC with SRIO & PCIe
  - ★EVC70K2000 – IDT Pre-Processor switch carrier platform
  - ★FPGA Mezzanine – FPGA daughter card
  - ★Half-Pipe – AMC SRIO Bridge to Infiniband
  - ★LRDK – Linux RapidIO Development Kit
  - ★Mezz Adapter – Infiniband to FPGA Mezzanine card
  - ★RD-460GT-KIT-1 – 2 PPC MPUs AMC with SRIO & PCIe
  - ★SRDP – Tundra switch carrier board: 568a, 576a, 578a
  - ★SSRP – Switch-less carrier for interoperability testing
  - ★ZLE60304,1 – Zarlink optical extender up to 25Gbps
- Check our web site for updates: [www.silicontkx.com](http://www.silicontkx.com)*

**Contact**

Silicon Turnkey Express  
749 Miner Rd.  
Highland Hts., OH 44143

**Partners**



**[info@silicontkx.com](mailto:info@silicontkx.com)**  
[www.silicontkx.com](http://www.silicontkx.com)  
PH: 440 461 4700 119  
FX: 440 461 4329