



ADS512101 Quick Start Guide

Thank you for purchasing an ADS512101 Advanced Development System for the MPC5121e. This document guides you through getting a quick start with the ADS512101. It does NOT replace all the documentation provided on the CD, but gives you a good starting point.

Contents:

Verify the following is included in the ADS512101 kit:
ADS512101 unit (with SN & MAC address label)
Power Supply, PSA15R-050-R & Adapters RPBAG-R
Null Modem Cable
CodeWarrior Develop Suite CDs
STx CD (with SN & MAC address label)
Literature Packet
Packing List, Warranty & Quick Start Guide



Power:

The ADS512101 can be powered by either the 5 Volt wall cube power supply included with this kit or a low power ATX power supply. If the 5 Volt wall cube power supply is used PCI and other peripherals requiring 12 Volts will NOT function.

WARNING: To use the 5 Volt wall cube power supply a jumper MUST be placed on P1, 5V Standby. Remove the jumper if using an ATX power supply.

Host Communications:

Connect the null modem cable from the serial port of the ADS512101 (see illustration) to the host computer. The host communication port should be set to 115.2K Baud, 8bit data, no parity, 1 stop bit, no flow control. Start the terminal program being used.

Boot Up:

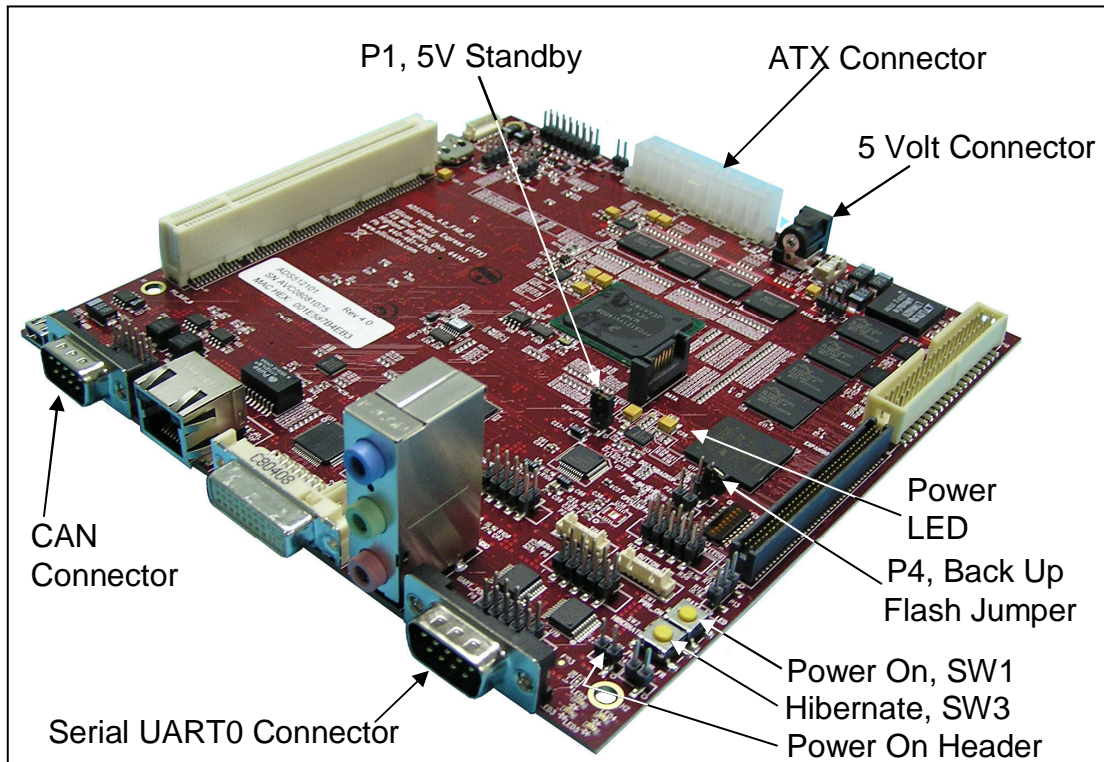
Assemble the power supply with the correct adapter and connect it to local power and the ADS512101. Power LED #1 will light. To launch U-Boot in ADS512101, push the power on switch SW1 (see illustration).

Linux (Freescale):

After U-Boot is running, Freescale's Linux BSP has been pre-loaded and will automatically boot, **if you do not hold down any key**. Linux takes several minutes to load and boot. Linux is ready when its prompt appears, **-sh-2.05b#**. Refer to the User Manual included on the CD for U-Boot commands and Freescale's Linux information. The User Manual also provides a complete description of all user interfaces for connectors, jumpers, switches and LEDs. (Freescale's Spinning Car graphic demo has also been pre-loaded. To launch this demo at the Linux prompt type **demoloop**).

Warranty:

In the next day or two take a few moments to complete the enclosed warranty information. We need this information to assure you are contacted for future software upgrades or ADS512101 notifications



ADS512101 Illustration

Installing U-Boot:

The ADS512101 has a protected back up FLASH memory for U-Boot. If U-Boot should become corrupt for any reason, U-Boot can be re-installed. Please follow these instructions to re-flash U-Boot to the main memory.

- 1 – Remove power from the ADS512101
 - 2 – Install a jumper on the 'Back Up Flash' Header, P4
 - 3 – Reconnect power to the ADS5121 and use SW1 to launch U-Boot.
 - This process will write the back up U-Boot to main memory.
 - Follow on screen instructions or:
 - 4 – Remove power from the ADS512101
 - 5 – Remove the jumper from header P4.
 - 6 – Reconnect power to the ADS512101 and use SW1 to launch U-Boot.
- (Freescale's Linux is not included in Backup Flash.)*

Set MAC Address in Environment (for PCB Rev 2.5 or older):

- 1 – After U-Boot is installed in main FLASH
- 2 – Find the MAC Address on the SN label on the PCB or on the CD case.
- 3 – Type 'setenv ethaddr ' MAC Address as '00:1E:59:nn:nn:nn'
- 4 – If it is entered incorrectly, U-Boot has to be installed in main FLASH again.

Support:

Your ADS512101 does include technical support from STx. If you should encounter any start up problems or if the ADS512101 does NOT include all the material, immediately email ADS512101@silicontkx.com and provide your name, contact information and problem.